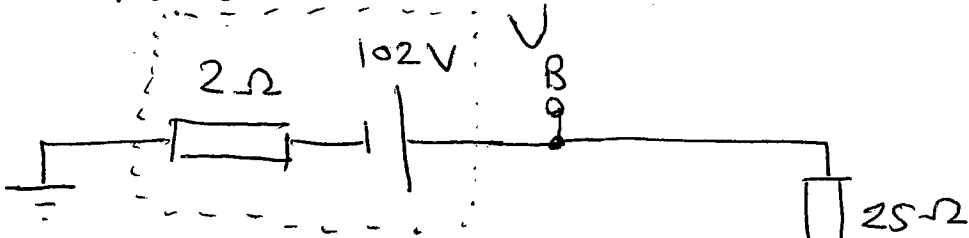
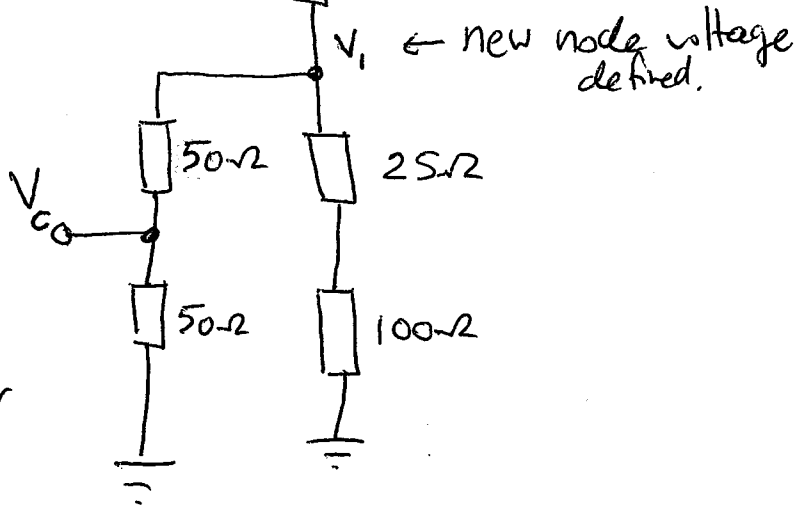


Redraw the circuit:



* I have replaced V_A with a ground node.



Note: By voltage divider equation, $V_C = \frac{1}{2} V_1$